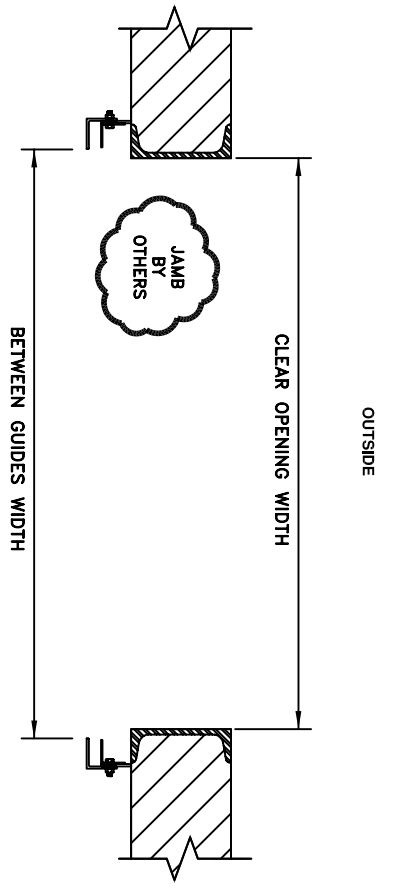
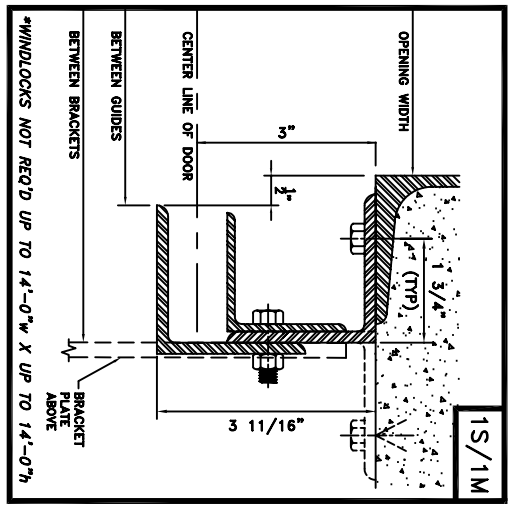


INSIDE ELEVATION
RIGHT HAND IS AS SHOWN.



INSIDE
PLAN

SECTION



GUIDE DETAIL

GENERAL NOTES:

1. FINISH:
SLATS & HOOD GALVANIZED WITH BAKED GREY FINISH. ALL OTHER SURFACES HAVE SHOP COAT OF PRIMER.
2. BOTTOM BAR:
EXTRUDED ALUMINUM MILL FINISH.
3. LOCKING:
HAND CHAIN TO CHAIN KEEPER. SECURE W/PADLOCK (BY OTHERS).

METRO
DOOR

99 SMITHTOWN BYPASS
HAUPPAUGE, NY, 11788
(800) 669-3667

TITLE: CHAIN OPERATED SERVICE DOOR

PROJECT:

REVISIONS		MK:	QTY:
LTR	DATE DESCRIPTION	CONTRACT NO:	
BY:	CK:		
DATE:	DWG.	OF	